

SINGLE HANDLE WALL MOUNT POT FILLER


Description

- 15" swing spout with shut off & control valve
- Single hole, wall mount

Flow & Valving

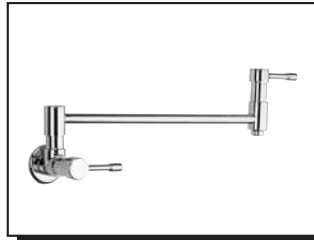
- See Chart

Standards

- ASME A112.18.1
- CSA B125
- NSF 61-9
- Listed IAPMO/UPC
- Energy policy act of 1992
- ADA Accessibility Guidelines for Buildings and Facilities - 4.27.4 Controls and Mechanisms 

Warranty

Danze faucets are covered by a manufacturer's limited "lifetime" warranty for manufacturing defects.

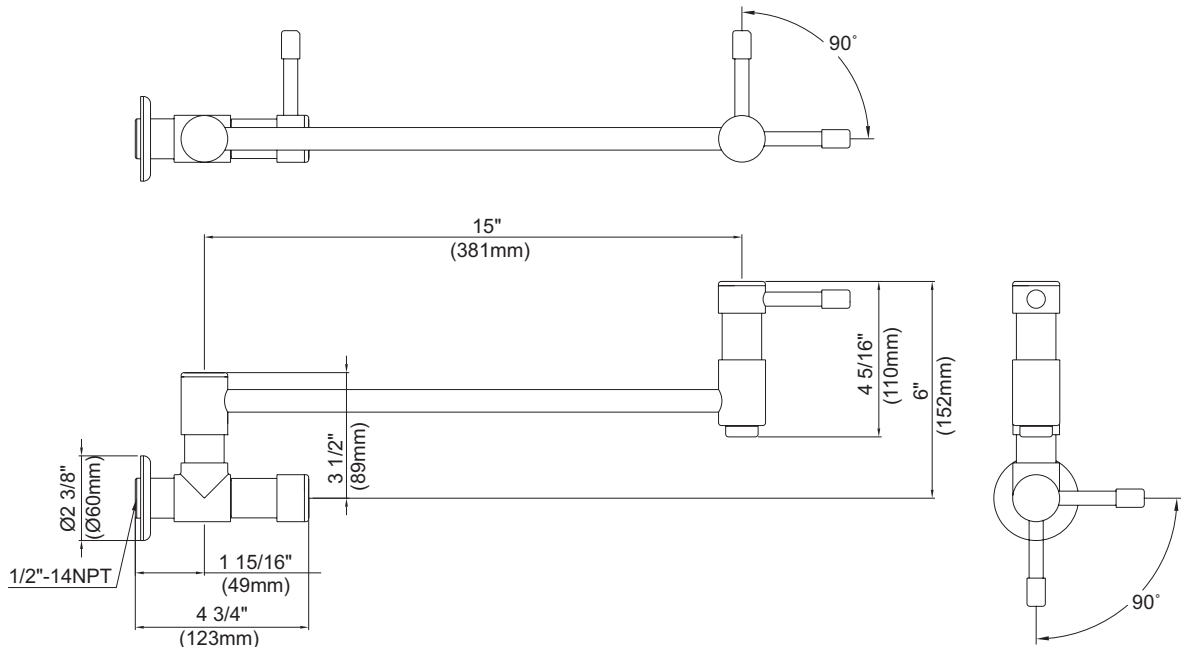
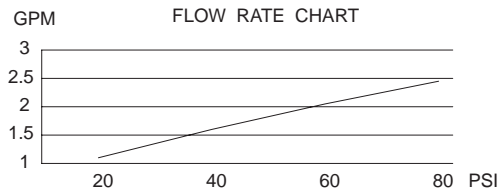


D205314
MELROSE™



Available Colors & Finish

- Chrome
- Stainless Steel (SS)



Specific Features: _____ Submitted Model No.: _____