

## Close Coupled Toilet, 1.6GPF

### FEATURES

- Gravity jet flushing system
- Universal height
- Close coupled round front bowl and tank set, less seat
- Chrome trip lever
- 12" Rough-in, less supply

### MODELS

- CST733F  
Round bowl, 12" rough-in, less seat

### COMPONENTS

- C733F - Round Front Bowl
- ST733 - Tank and Cover only
- SS113 SoftClose® seat (sold separately)

### COLORS/FINISHES

- Standard
  - #01 Cotton
  - #03 Bone
  - #11 Colonial White
  - #12 Sedona Beige
  - #51 Ebony

### PRODUCT SPECIFICATION

The two-piece gravity jet flushing system toilet shall be 1.6GPF/6.0LPF. Toilet shall have high-profile tank, round front bowl and chrome trip lever. Toilet shall be TOTO Model CST733F\_\_\_\_\_.



### CODES/STANDARDS

- Meets and exceeds ASME A112.19.2/CSA B45.1
- Certifications: IAPMO(cUPC), State of Massachusetts, City of Los Angeles, and others
- Code compliance: UPC, IPC, NSPC, NPC Canada, and others



# CST733F

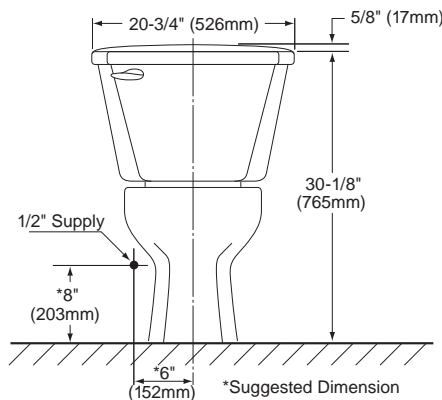
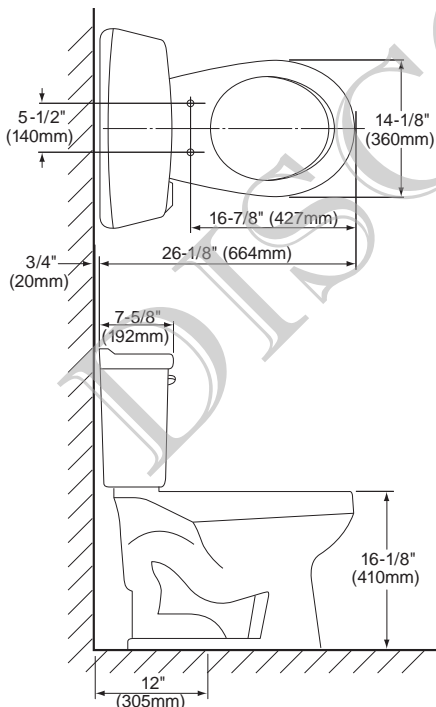
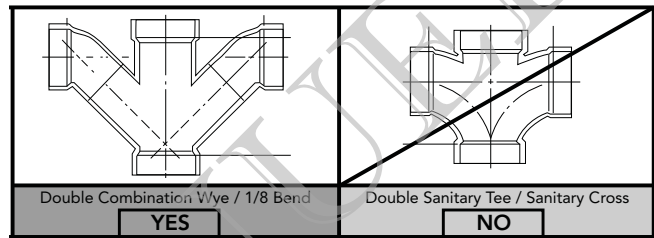
## Close Coupled Toilet, 1.6GPF/6.0 GPF

### SPECIFICATIONS

- Water Use 1.6 GPF/6.0LPF
- Flush System Gravity jet
- Min. Water Pressure 8 psi (static)
- Water Surface 8" x 9-3/8"
- Trap Diameter 2-1/8"
- Rough-in 12"
- Trap Seal 2-1/8"
- Warranty One Year Limited Warranty
- Material Vitreous china
- Shipping Weight C733F - 49lbs  
ST733 - 40lbs
- Shipping Dimensions C733F  
25-1/8" L x 9-5/8" W1  
x 15-5/8" W2 x 16-3/4" H  
  
ST733  
21-1/4" L x 8-1/4" W  
x 17-1/8" H

### INSTALLATION NOTES

Back-to-Back Toilet Installations:  
TOTO recommends the use of a nationally listed, double sanitary tee-wye only, in vertical waste stacks, in accordance with the stipulations noted in the majority of nationally recognized plumbing codes.



**TOTO**

*These dimensions and specifications are subject to change without notice*