

Dartmouth® Pedestal Lavatory

FEATURES

- 22-7/8" x 16-15/16"
- Traditional styling
- 34" Universal Height for maximum comfort
- Rear overflow
- Vitreous china pedestal and lavatory combination complete with mounting hardware

MODELS

- LPT640
Pedestal lavatory with single hole
- LPT640.4
Pedestal lavatory with 4" faucet centers
- LPT640.8
Pedestal lavatory with 8" faucet centers
- Available Components:
 - LT640
Lavatory with single hole
 - LT640.4
Lavatory with 4" faucet centers
 - LT640.8
Lavatory with 8" faucet centers
 - PT640
Pedestal only, with mounting hardware

COLORS/FINISHES

- #01 Cotton



Faucet sold separately

CODES/STANDARDS

- Meets and exceeds ASME A112.19.2/CSA B45.1
- Certifications: IAPMO(cUPC), State of Massachusetts, City of Los Angeles, and others
- Code compliance: UPC, IPC, NSPC, NPC Canada, and others



PRODUCT SPECIFICATION

The lavatory shall be 22-7/8" width and 16-15/16" depth. The basin shall be 18-1/2" width by 11" depth. The lavatory shall be made of vitreous china and be 34" universal height with rear overflow. Lavatory shall be TOTO Model LPT640_____.

LPT640

Dartmouth® Pedestal Lavatory

SPECIFICATIONS

- Waste 1-1/4" O.D.
- Size 22-7/8" W x 16-15/16" D
- Basin 18-1/2" W x 11" D
- Height: Floor to Rim 34"
- Warranty One Year Limited Warranty
- Material Vitreous china
- Shipping Weight LT640/LT640.4/LT640.8 35 lbs.

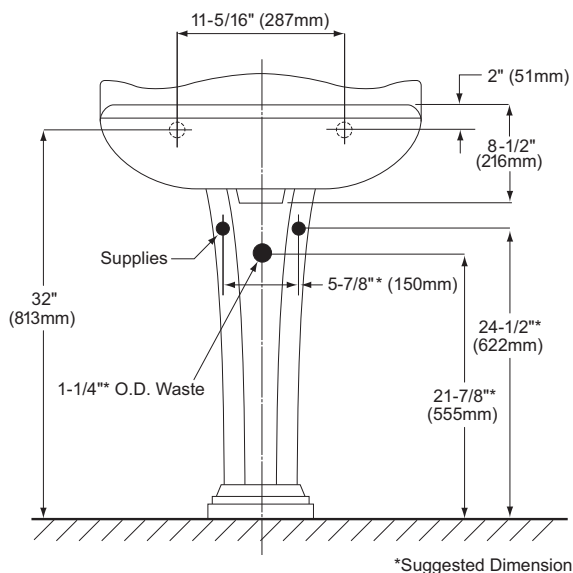
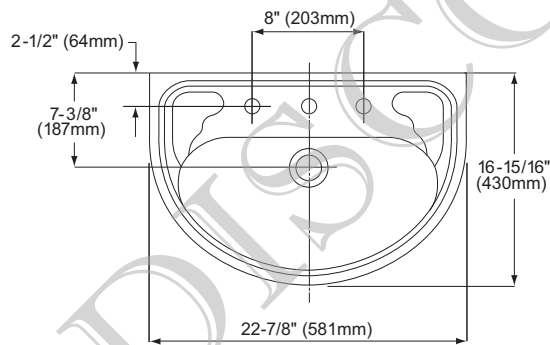
PT640
18 lbs.

- Shipping Dimensions LT640/LT640.4/LT640.8 23-1/4" L x 18-1/2" W x 11-7/8" H

PT640
23-1/4" L x 7-7/8" W x 6-7/8" H

INSTALLATION NOTES

Requires PT640 pedestal for support. Use proper back support to mount product.



TOTO®

These dimensions and specifications are subject to change without notice