

Close Coupled Toilet, 1.6GPF

FEATURES

- Gravity jet flushing system
- Universal height
- Close coupled elongated front bowl and tank set, less seat
- Chrome trip lever
- 12" Rough-in, less supply
- ADA compliant (when installed with trip lever located on the approach side)

MODELS

- CST734F
Elongated bowl, 12" rough-in, less seat

COMPONENTS

- C734F - Elongated Front Bowl
- ST733 - Tank and Cover only
- SS114 SoftClose® seat (sold separately)

COLORS/FINISHES

- Standard
 - #01 Cotton
 - #03 Bone
 - #11 Colonial White
 - #12 Sedona Beige
 - #51 Ebony

PRODUCT SPECIFICATION

The two-piece gravity jet flushing system toilet shall be 1.6GPF/6.0LPF. Toilet shall be universal height and ADA compliant. Toilet shall have high-profile tank, elongated front bowl and chrome trip lever. Toilet shall be TOTO Model CST734F ____.



CODES/STANDARDS

- Meets and exceeds ASME A112.19.2/CSA B45.1,
- Certifications: IAPMO(cUPC), State of Massachusetts, City of Los Angeles, and others
- Code compliance: UPC, IPC, NSPC, NPC Canada, and others
- ADA compliant (when installed with trip lever located on the approach side)



CST734F

Close Coupled Toilet, 1.6GPF/6.0 GPF

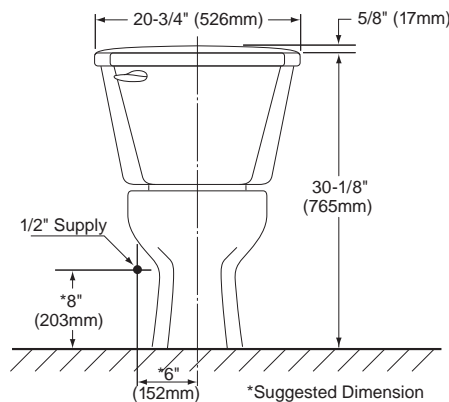
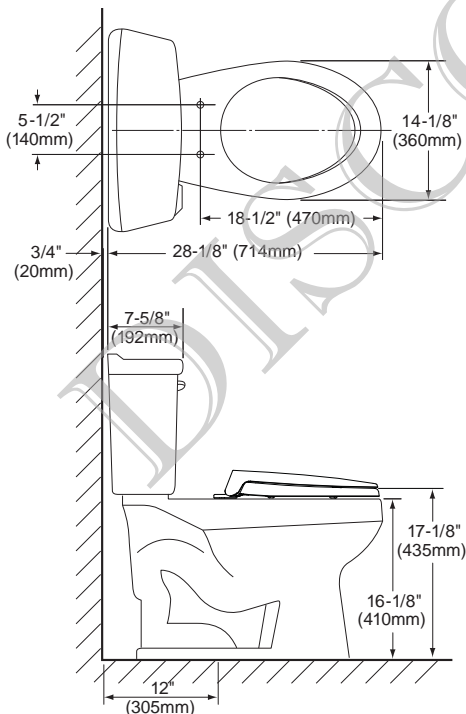
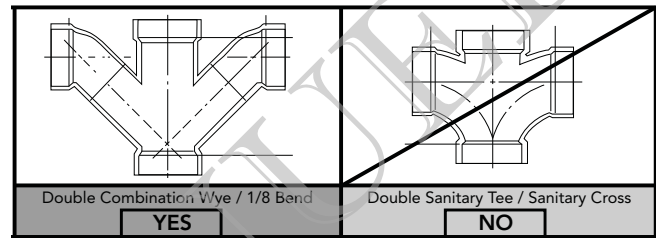
SPECIFICATIONS

- Water Use 1.6 GPF/6.0LPF
- Flush System Gravity jet
- Min. Water Pressure 8 psi (static)
- Water Surface 8" x 9-3/8"
- Trap Diameter 2-1/8"
- Rough-in 12"
- Trap Seal 2-1/8"
- Warranty One Year Limited Warranty
- Material Vitreous china
- Shipping Weight C734F - 51lbs
ST733 - 40lbs
- Shipping Dimensions C734F
27-1/8" L x 9-5/8" W1
x 15-5/8" W2 x 16-3/4" H

ST733
21-1/4" L x 8-1/4" W
x 17-1/8" H

INSTALLATION NOTES

Back-to-Back Toilet Installations:
TOTO recommends the use of a nationally listed, double sanitary tee-wye only, in vertical waste stacks, in accordance with the stipulations noted in the majority of nationally recognized plumbing codes.



TOTO

These dimensions and specifications are subject to change without notice