

Carusoe® Close Coupled Toilet, 1.6GPF

FEATURES

- Powerful, quiet flushing system
- Close coupled commercial grade, high performance toilet
- Round front bowl and tank set, less seat
- Chrome trip lever
- 12" Rough-in, less supply

MODELS

- CST715
Round bowl, 12" rough-in, less seat
- CST715B*
Same as CST715 with bolt down lid (special order)
- CST715D*
Same as CST715 with insulated tank (special order)
- CST715DB*
Same as CST715 with bolt down lid & insulated tank (special order)

COMPONENTS

- C715
Round bowl, 12" rough-in
- ST706
Tank and Cover only
- ST706B
Tank and Cover only, bolt down lid
- ST706D
Tank and Cover only, insulated tank
- ST706DB
Tank and Cover only, bolt down lid, insulated tank
- SS113 SoftClose® seat (sold separately)

COLORS/FINISHES

- Standard
 - #01 Cotton
 - #03 Bone
 - #11 Colonial White
 - #12 Sedona Beige

PRODUCT SPECIFICATION

The two-piece gravity fed flushing system toilet shall be 1.6GPF/6.0LPF. Toilet shall have high-profile tank, round front bowl and chrome trip lever. Toilet shall be TOTO Model CST715_____.



CODES/STANDARDS

- Meets and exceeds ASME A112.19.2/CSA B45.1
- Certifications: IAPMO(cUPC), State of Massachusetts, City of Los Angeles, and others
- Code compliance: UPC, IPC, NSPC, NPC Canada, and others



CST715

Carusoe® Close Coupled Toilet, 1.6GPF

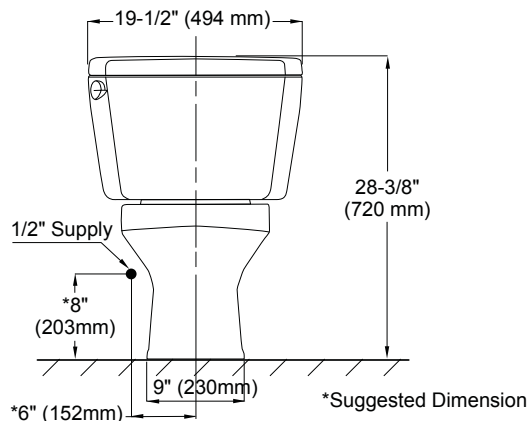
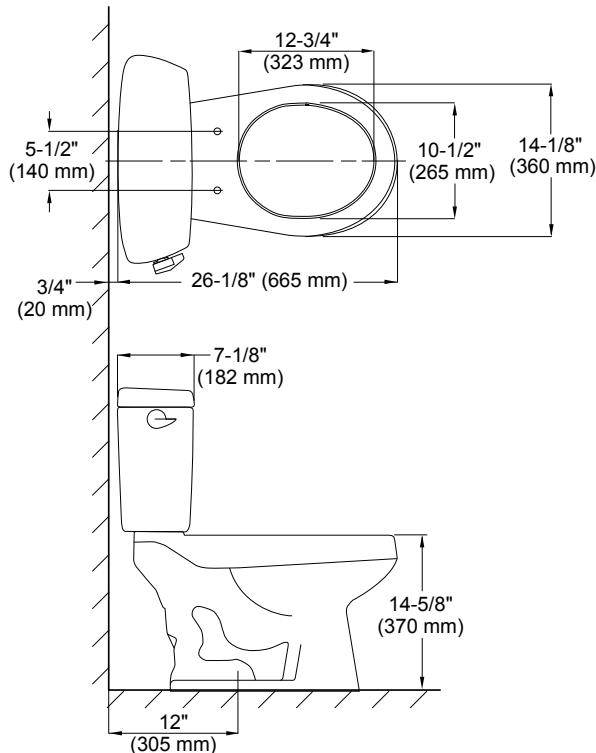
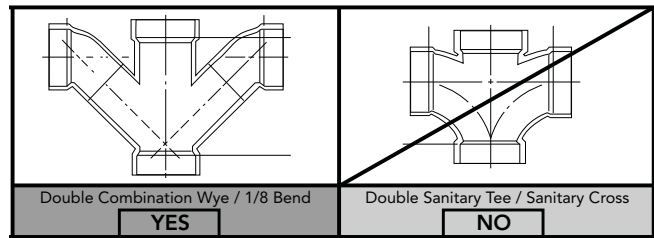
SPECIFICATIONS

- Water Use 1.6 GPF/6.0LPF
- Flush System Gravity fed
- Min. Water Pressure 8 psi (static)
- Water Surface 10-1/4" x 8-1/2"
- Trap Diameter 2-1/8"
- Rough-in 12"
- Trap Seal 2"
- Warranty One Year Limited Warranty
- Material Vitreous china
- Shipping Weight C715 - 43.5lbs
ST706 - 32.5lbs
- Shipping Dimensions C715
26" L x 11-5/8" W1
x 15-3/8" W2 x 15" H

ST706
20" L x 8-1/4" W
x 15-1/2" H

INSTALLATION NOTES

Back-to-Back Toilet Installations:
TOTO recommends the use of a nationally listed, double sanitary tee-wye only, in vertical waste stacks, in accordance with the stipulations noted in the majority of nationally recognized plumbing codes.



TOTO®

These dimensions and specifications are subject to change without notice