

## Carusoe® Close Coupled Toilet, 1.6GPF

### FEATURES

- Powerful, quiet flushing system
- Close coupled commercial grade, high performance toilet
- Round front bowl and tank set, less seat
- Chrome trip lever
- 12" Rough-in, less supply

### MODELS

- CST715  
Round bowl, 12" rough-in, less seat
- CST715B\*  
Same as CST715 with bolt down lid (special order)
- CST715D\*  
Same as CST715 with insulated tank (special order)
- CST715DB\*  
Same as CST715 with bolt down lid & insulated tank (special order)

### COMPONENTS

- C715  
Round bowl, 12" rough-in
- ST706  
Tank and Cover only
- ST706B  
Tank and Cover only, bolt down lid
- ST706D  
Tank and Cover only, insulated tank
- ST706DB  
Tank and Cover only, bolt down lid, insulated tank
- SS113 SoftClose® seat (sold separately)

### COLORS/FINISHES

- Standard
  - #01 Cotton
  - #03 Bone
  - #11 Colonial White
  - #12 Sedona Beige

### PRODUCT SPECIFICATION

The two-piece gravity fed flushing system toilet shall be 1.6GPF/6.0LPF. Toilet shall have high-profile tank, round front bowl and chrome trip lever. Toilet shall be TOTO Model CST715\_\_\_\_\_.



### CODES/STANDARDS

- Meets and exceeds ASME A112.19.2/CSA B45.1
- Certifications: IAPMO(cUPC), State of Massachusetts, City of Los Angeles, and others
- Code compliance: UPC, IPC, NSPC, NPC Canada, and others



# CST715

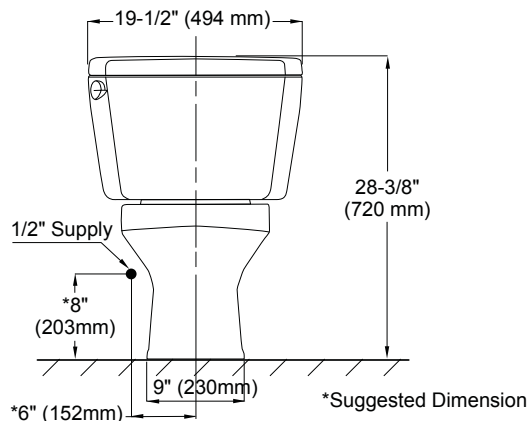
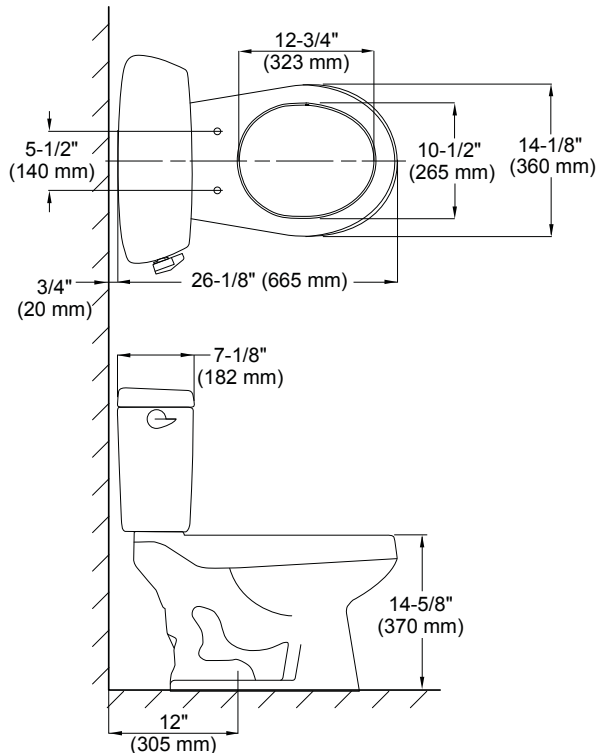
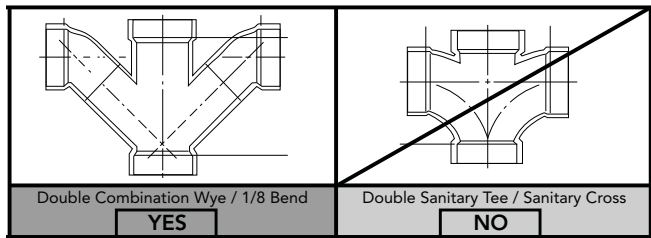
## Carusoe® Close Coupled Toilet, 1.6GPF

### SPECIFICATIONS

- Water Use 1.6 GPF/6.0LPF
- Flush System Gravity fed
- Min. Water Pressure 8 psi (static)
- Water Surface 10-1/4" x 8-1/2"
- Trap Diameter 2-1/8"
- Rough-in 12"
- Trap Seal 2"
- Warranty One Year Limited Warranty
- Material Vitreous china
- Shipping Weight C715 - 43.5lbs  
ST706 - 32.5lbs
- Shipping Dimensions C715  
26" L x 11-5/8" W1  
x 15-3/8" W2 x 15" H  
  
ST706  
20" L x 8-1/4" W  
x 15-1/2" H

### INSTALLATION NOTES

Back-to-Back Toilet Installations:  
TOTO recommends the use of a nationally listed, double sanitary tee-wye only, in vertical waste stacks, in accordance with the stipulations noted in the majority of nationally recognized plumbing codes.



**TOTO®**

*These dimensions and specifications are subject to change without notice*