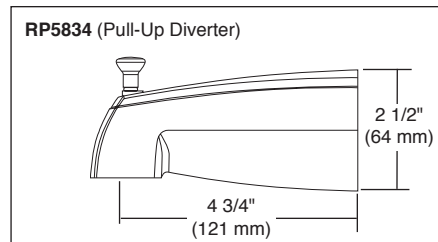
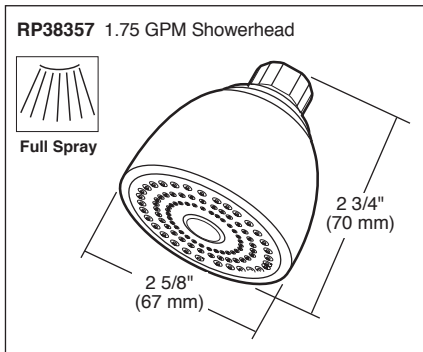
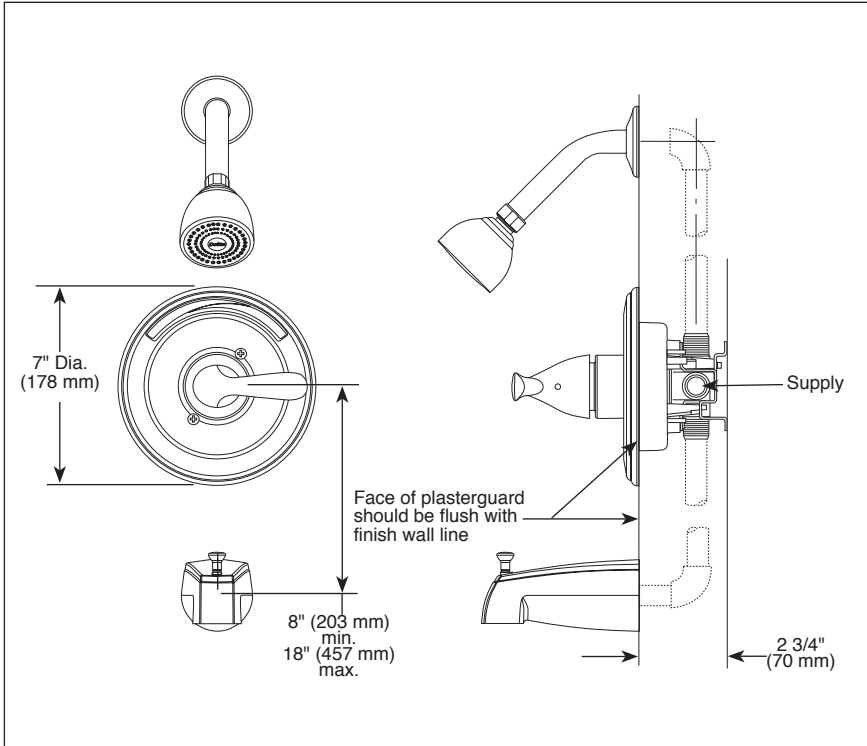


Submitted Model No.: \_\_\_\_\_

Specific Features: \_\_\_\_\_



# DELTA COMMERCIAL

## TUB AND SHOWER FAUCET TRIM

- Valve Only (T13091)
- Shower Only (T13291)
- Tub/Shower (T13491)

### FEATURES:

- Monitor® 13 Series pressure balanced bath single handle mixing valve trim

### STANDARD SPECIFICATIONS:

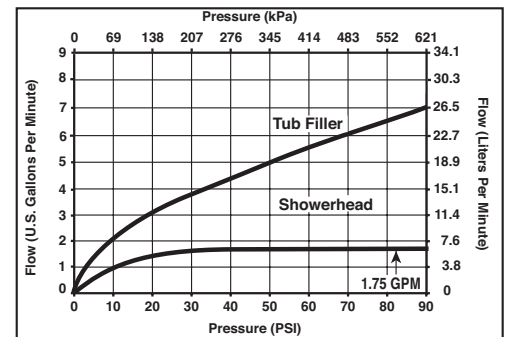
- Maintains a balanced pressure of hot and cold water even when a valve is turned on or off elsewhere in the system
- For use with MultiChoice® Universal rough valve body. (R10000 Series)
- Back-to-back installation capability
- Temperature only controlled with metal lever handle
- Field adjustable to limit handle rotation into hot water zone
- 120° maximum handle rotation
- All parts replaceable from the front of the valve
- "-LHD" & "-SLHD" models have pad printed red/blue temperature indication less showerhead
- 1/2" CWT sweat and 1/2" IPS threaded spout adapter

### WARRANTY

- Lifetime limited warranty on parts (other than electronic parts and batteries) and finishes: or, for commercial users, for 5 years from date of purchase.
- 5 year limited warranty on electronic parts (other than batteries); or, for commercial users, for 1 year from the date of purchase. No warranty is provided on batteries.

### COMPLIES WITH:

- ASME A112.18.1 / CSA B125.1
- ASSE 1016
- Indicates compliance to ICC/ANSI A117.1 - valve control only
- EPA WaterSense®



Delta reserves the right (1) to make changes in specifications and materials, and (2) to change or discontinue models, both without notice or obligation. Dimensions are for reference only. See current full-line price book or [www.deltafaucet.com](http://www.deltafaucet.com) for finish options and product availability.