

# PVC SQUARE FLOOR SINK

861 SERIES

SquareMax™

## SPECIFICATION

Sioux Chief 861 Series SquareMax floor sink shall be used where necessary in drainage systems. Floor sink shall be molded from impact-modified PVC with Sch. 40 hub connection which conforms to ASTM D2665. Floor sink shall show no significant distortion at water temperatures up to 180°F. Strainer shall be heel-proof and shall meet all applicable load requirements for intended use. Floor sink shall be designed with a concrete anchor flange for solid installations. Sump area shall have smooth, pitched inner surfaces for quick and complete drainage. Designed in accordance with ASME A112.6.7-01

## MATERIALS

ring/strainer: PVC, Nickel-bronze, 304 Stainless steel, Ductile iron  
body/connection: PVC

## STRAINER LOAD RATING

PVC: 1,000 lbs. (light duty, pedestrian traffic)  
Nickel-bronze: 2,400 lbs. (medium duty)  
Stainless Steel: 3,500 lbs. (medium duty)  
Ductile iron: 7,500 lbs. (heavy duty)

## STRAINER FREE-AREA

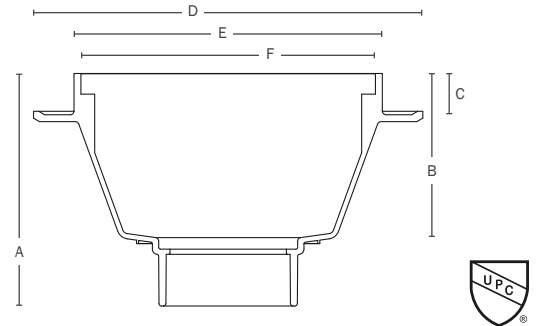
PVC: 44 in<sup>2</sup>  
Nickel-bronze: 35 in<sup>2</sup>  
Stainless Steel: 35 in<sup>2</sup>  
Ductile iron: 40 in<sup>2</sup>

## DIMENSIONS

	2"	3"	4"	6"
A: overall height*	7 7/16"	8 5/16"	8 7/16"	9 1/2"
B: sump depth	6 3/8"			
C: top to flange	1 1/2"			
D: flange diameter	14 1/8"			
E: outside rim	11 3/16"			
F: inside rim	10 11/16"			
sump volume	518 in <sup>3</sup>			

\* Add 7/16" for nickel/stainless ring & strainer, add 9/16" for ductile

ITEM # SUBMITTED	_____
JOB NAME	_____
LOCATION	_____
ENGINEER	_____
CONTRACTOR	_____
PO#	_____ TAG _____



## Create Item Number

# 861-ABC

e.g. **861-3PZW2V**: SquareMax floor sink - 3" Sch. 40 hub connection with stainless steel open-half strainer having vandal-resistant screws and mesh debris basket

### A CONNECTION

- 2 2" Sch. 40 Hub
- 3 3" Sch. 40 Hub
- 4 4" Sch. 40 Hub
- 6 6" Sch. 40 Hub

### B STRAINER

- PX No strainer - drain body only
- P PVC strainer with lift handle<sup>1</sup>
- PN Nickel-bronze ring & strainer<sup>1</sup>
- PZ Stainless steel ring & strainer<sup>1</sup>
- Pi Ductile iron ring & strainer

### C OPTIONS

- D PVC dome bottom strainer<sup>2</sup>
- U Aluminum dome bottom strainer<sup>2</sup>
- C PVC clamping collar
- W Stainless steel debris basket
- 2 Open-half strainer<sup>3</sup>
- 2S Split, open-half strainer<sup>4</sup>
- 3 Open-quarter strainer<sup>3</sup>
- V Vandal-resistant strainer screws
- T Tapped trap primer port - 1/2" FIP
- F Round, nik-brz. condensate funnel
- FA Round, Alum. condensate funnel
- FO Oval, nik-brz. condensate funnel
- 6 PVC flat bottom strainer<sup>2</sup>

### ACCESSORIES

- 861-D PVC dome bottom strainer<sup>2</sup>
- 863-U Alum. dome bottom strainer<sup>2</sup>
- 861-C PVC clamping collar with screws
- 861-UM Stainless steel debris basket
- 861-6 PVC flat bottom strainer<sup>2</sup>
- 863-FN Round, nik-brz. condensate funnel
- 863-FA Round, Alum. condensate funnel
- 863-FNO Oval, nik-brz. condensate funnel

1 See Options for open-half & open-quarter strainers  
2 Not available for 6" connection models  
3 Not available for ductile iron strainer  
4 Available for PVC strainer only