

Aquia® Wall-Hung Toilet & DuoFit® In-Wall Tank System - 1.6 GPF & 0.9 GPF

FEATURES

Aquia Bowl

- Dual-Max® flushing system, high efficiency
1.6 GPF/6.0 LPF & 0.9 GPF/3.4 LPF)
- CEFIONTECT® ceramic glaze - prevents debris, mold from sticking to ceramic surfaces
- Universal Height

DuoFit In-Wall Tank

- Dual flush system, low consumption
(1.6 GPF/6.0 LPF & 0.9 GPF/ 3.4 LPF)
- Adjustable 15"-19" mounting height
- Support up to 880 lbs
- Commercial 2" x 6" or optional residential installation with 2" x 4" wall studs with waste outlet kit
- 1-pc blow molded, insulated polyethylene tank to prevent leaks and sweating
- 2" x 6" Polyethylene outlet included
- Copper supply line



Seat not included

KIT COMPONENTS

- CT418FG#01
Aquia Wall-Hung Toilet
- WT171M#01
In-Wall Tank System (Copper Pipe)
- YT920#WH
Basic Square Push Plate - White Matte

Available Options

- YT920#WH
Basic Square Push Plate - White Matte
- YT920#MS
Basic Square Push Plate - Matte Silver
- YT930#WH
Basic Round Push Plate - White Matte
- YT930#MS
Basic Round Push Plate - Matte Silver
- YT970#SS
Wall Square Push Plate - Brushed Stainless Steel
- YT980#SS
Wall Round Push Plate - Brushed Stainless Steel

D+ Dual-Max

SD Skirted Design

CEFIONTECT

COLORS/FINISHES

- Standard
#01 Cotton

CODES/STANDARDS

- Meets and exceeds:
 - Bowl: ASME A112.19.2/CSA B45.1, ASME A112.19.14
 - Carrier System: ASME A112.6.2
 - Tank Trim: IAPMO PS50, CSA B125.3, ASSE1002
- Certifications: IAPMO (cUPC), EPA WaterSense State of Massachusetts, City of Los Angeles and others
- Legislative compliance: California AB715, California Green Building Code, City of Los Angeles Water Efficiency Ordinance
- Code Compliance: UPC, IPC, NSPC, NPC Canada, and others
- Complies with CA Prop 65 warning requirements



CWT418MFG

Aquia® Wall-Hung Toilet & DuoFit® In-Wall Tank System - 1.6 GPF & 0.9 GPF

PRODUCT SPECIFICATIONS

	CT418FG	SS114	WT171M
Water Use	1.6 GPF & 0.9 GPF (6.0 LPF & 3.4 LPF)		1.6 GPF & 0.9 GPF (6.0 LPF & 3.4 LPF)
Flush System	Dual-Max®		Dual-Max
Min. Water Pressure	8 psi (static)		8 psi (static)
Water Surface	5-1/2" X 4-3/4"		
Trap Diameter	2-1/8"		
Installation Height	15" to 19"		15" to 19"
Trap Seal	2-1/8"		
Warranty	One Year Limited Warranty	One Year Limited Warranty	One Year Limited Warranty
Material	Vitreous China	Polypropylene	Various
Shipping Weight	66.5 lbs.	6.6 lbs.	44 lbs.
Shipping Dimensions	23-3/4" L x 15-3/4"W x 17-1/2" H	18-1/2"L x 14-1/2"W x 3"H	47-1/2" L x 26-1/2" W x 5-3/4" H

CT418FG

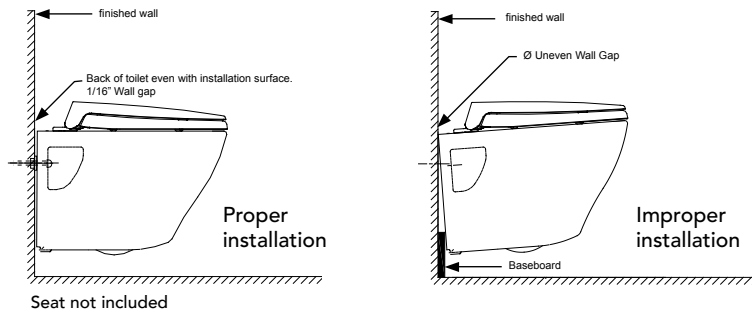
This universal height, high efficiency Dual-Max system toilet shall be 1.6 GPF & 0.9 GPF. Toilet shall have CEFIONTECT® ceramic glaze. Toilet shall be mounted to in-wall tank system, Elongated front bowl and wall-mounted push-button type trip lever. Toilet shall be TOTO Model CT418FG#01.

WT171M

This universal height, high-efficiency, dual flushing, in-wall tank system toilet shall be 1.6 GPF & 0.9 GPF. Requires TOTO toilet model CT418FG. In-Wall tank system shall be TOTO Model WT171M.

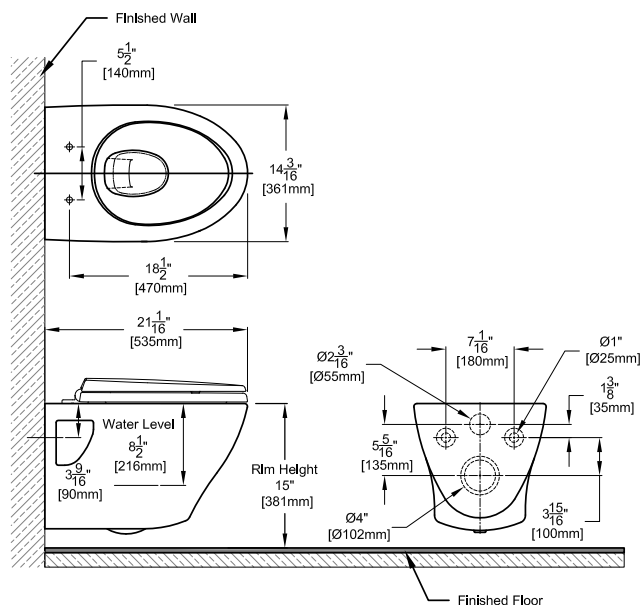
INSTALLATION NOTES

- Adequate structural bracing is required



PRODUCT DIMENSIONS

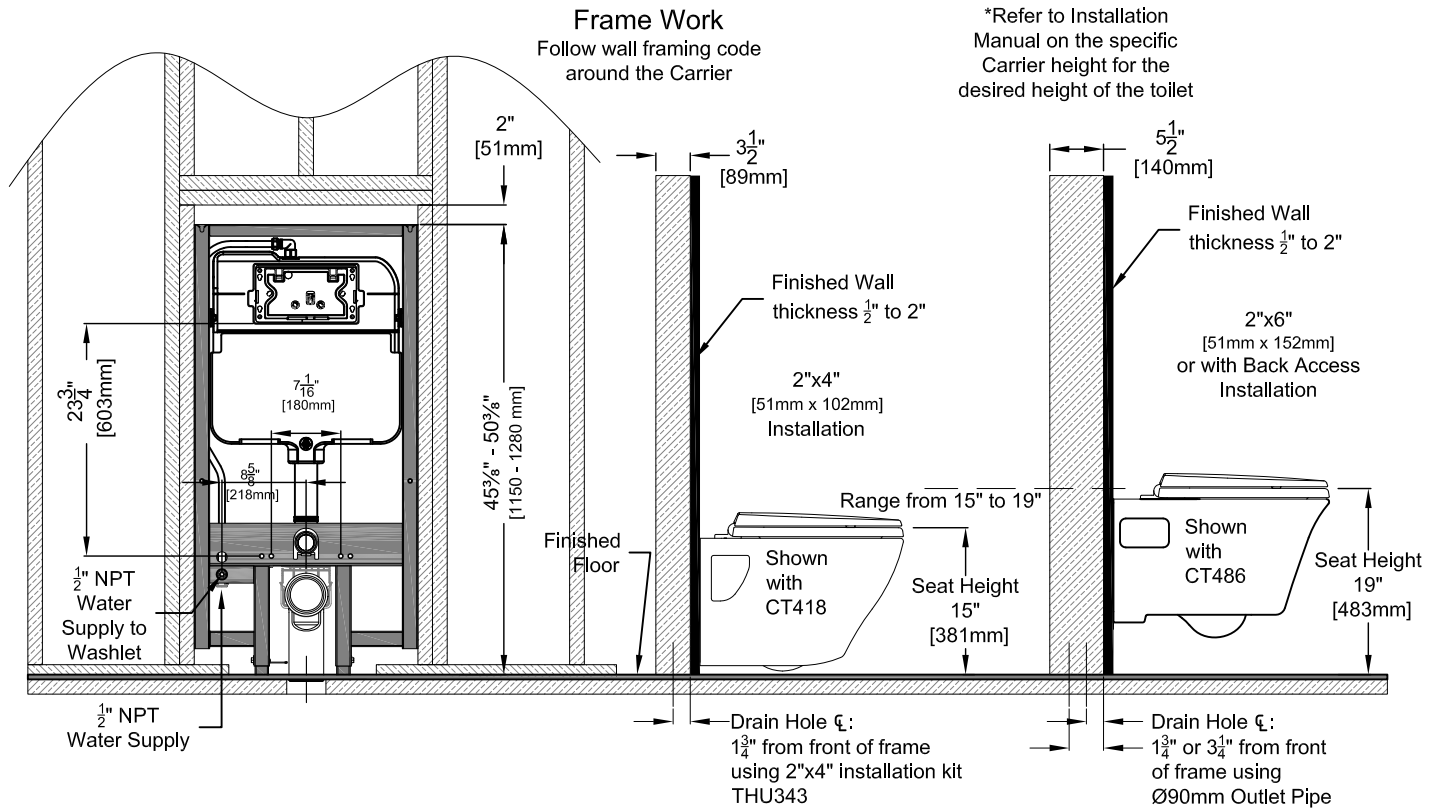
CT418FG



CWT418MFG

Aquia® Wall-Hung Toilet & DuoFit® In-Wall Tank System - 1.6 GPF & 0.9 GPF

WT171M



Seat not included

TOTO®

These dimensions and specifications are subject to change without notice