

# Below Deckmount Sink Faucets 8" Centers

**TECK**  
COMMERCIAL

**DELTA**

## SPECIFICATION: (EXAMPLE)

- Below deckmount sink faucet
- 203mm (8") centers, two handle
- Polished chrome-plated finish trim
- **CAST BRASS** bodies
- **BRASS** swing spout or 3/8" IPS **BRASS PIPE** Rigid/Swivel Gooseneck Spout
- Metal hold-down package
- Color indexed metal handles with vandal resistant screws
- **CER-TECK**® 1/4 turn ceramic structures
- and... with... (add spout required)
- with... (add outlet required)
- with... (add handle required)
- with... (add suffix **-LS** if required – see back page)
- with... (add suffix **-TI** if required – see back page)

27C2144



27C2944



Engineer/Architect Approval

Model Specified:

Approval:

Date:

## MODEL NUMBER EXAMPLE:

Configurations vary, see below for availability.

# 27C2944-LS

### Variation

- 1 = 8" (203 mm) Wallform spout
- 2 = 8" (203 mm) Tubular spout
- 9 = 6" (152 mm) Gooseneck spout








### Outlet

- 2 = Vandal resistant laminar outlet 1.5 gpm (5.7 L/min)
- 3 = Vandal resistant aerator 1.5 gpm (5.7 L/min)
- 4 = Standard aerator outlet 1.5 gpm (5.7 L/min)
- 5 = Vandal resistant spray outlet 0.5 gpm (1.9 L/min)
- 7 = Smooth end, laminar outlet 1.0 gpm (3.8 L/min)

### Handle

- 2 = Hooded blade
- 3 = Hooded lever
- 4 = Blade w/sanitary hood
- 5 = Wrist w/sanitary hood

- LS** = 120° Limited swing gooseneck
- TI** = Handle temperature indicators "H" (red), "C" (blue)
- R\*** = Optional gooseneck spout dimensions:  
R2 = 4.5" long, 11.9" high  
R5 = 6" long, 13.4" high  
R6 = 6" long, 15" high  
R7 = 9" long, 14.1" high
- S\*** = Optional swing spout dimensions:  
S7 = 11" Tubular

AVAILABLE MODELS		VARIATIONS					
		1	2	9			
<b>1</b> Wallform S2 Spout 8" (203 mm) 		<b>2</b> Tubular S5 Spout 8" (203 mm) 		<b>9</b> Gooseneck R4 Spout 6" (152 mm) long, 11.8" (300 mm) high 			
<b>HANDLES</b>	<b>2</b> Hooded Blade 4" (102 mm) 	27C2122 27C2142	27C2222 27C2232 27C2232-S7 27C2242	27C2922 27C2922-LS 27C2922-R7 27C2932 27C2932-R7	27C2942 27C2942-LS 27C2942-LS-TI 27C2942-R5 27C2942-R7	27C2952 27C2952-R7 27C2972 27C2972-R7	
	<b>3</b> Hooded Lever 3" (76 mm) 	27C2123 27C2143	27C2233 27C2243 27C2243-TI 27C2253	27C2923 27C2933 27C2933-LS 27C2933-R7 27C2943	27C2943-LS-TI 27C2943-R7	27C2953-LS-TI 27C2973	
	<b>4</b> Blade with Sanitary Hood 4" (102 mm) 	27C2124 27C2144	27C2224 27C2234 27C2244	27C2924 27C2924-LS-TI 27C2924-R2TI 27C2924-R5 27C2924-R7 27C2924-TI 27C2934	27C2934-LS 27C2934-R2 27C2934-R7 27C2944 27C2944-LS 27C2944-LS-TI	27C2944-R7 27C2954 27C2954-R6 27C2954-R7 27C2974 27C2974-R7 27C2974-TI	
	<b>5</b> Wrist with Sanitary Hood 6" (152 mm) 		27C2245	27C2935 27C2945-R7 27C2955 27C2975			

Note: Use this page front and back as a product submittal sheet.

Flow Rates are at 60 PSI.  
Refer to [www.specselect.com](http://www.specselect.com) for individual models.

Delta reserves the right (1) to make changes in specifications and materials, and (2) to change or discontinue models, both without notice or obligation. Dimensions are for reference only. See current full-line price book or [www.specselect.com](http://www.specselect.com) for finish options and product availability.


**DSP-27C12** Rev. H

# Below Deckmount Sink Faucets 8" Centers

**TECK**  
COMMERCIAL

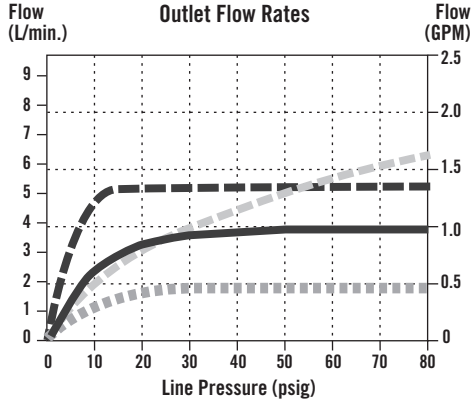
**DELTA**

## APPROVALS:

- CSA certified
- Complies to ASME A112.18.1/CSA B125.1
-  Indicates compliance to ICC/ANSI A117.1
- Verified compliant with 0.25% weighted average Pb content regulations

(Contact Delta Representative for State and/or Local Approvals.)

## FLOW RATE vs PRESSURE

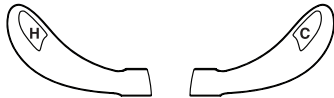


### Spout Outlets

- No. 3 & 4 Aerator
- No. 2 Laminar Flow Outlet
- No. 7 Flow Control
- No. 5 Low Flow Outlet

## HANDLE TEMPERATURE INDICATORS

- Suffix “-TI” signifies handle temperature indicators “H” (red), “C” (blue). Available on selected models.



## LIMITED SWING GOOSENECK

- Suffix “-LS” signifies 120° Limited Swing. Available on selected models.

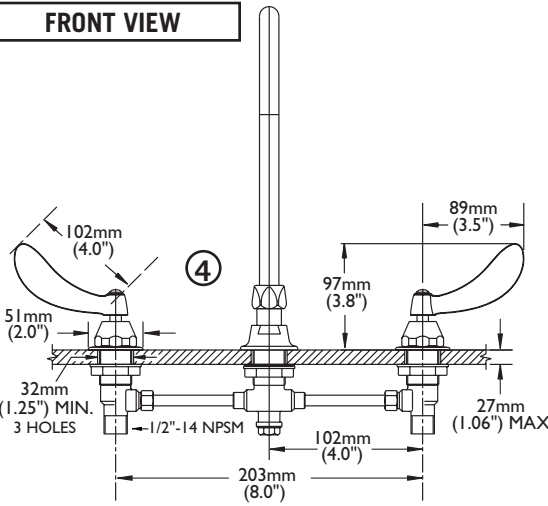
## FOR OPTIONAL RIGID/SWIVEL & LIMITED SWING SPOUTS

See DSP-R/S for detailed specification.

## FOR OPTIONAL SWING SPOUTS

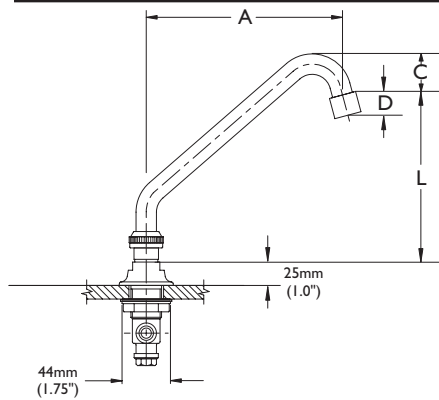
See DSP-S/S for detailed specification.

## FRONT VIEW

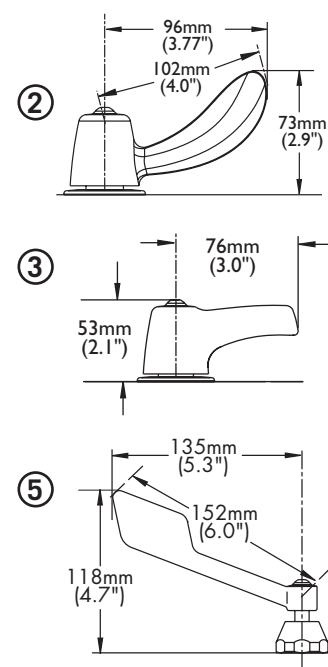
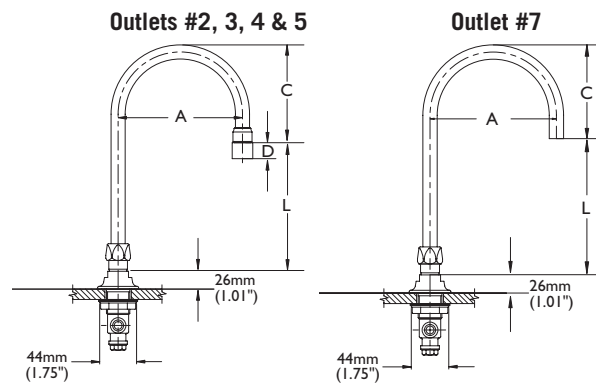


INLET FOR 3/8" OR 1/2" FLEXIBLE RISER OR 1/2-14 NPSM COUPLING NUT (NOT SUPPLIED)

## SWING SPOUT



## GOOSENECK SPOUT



OUTLET NO.	“D”	
	mm	in.
2	18	0.69
3	18	0.69
4	17	0.67
5	18	0.69

## GOOSENECK SPOUT ASSEMBLIES

SPOUT/OUTLET	“A”		“C”		“L”	
	mm	in.	mm	in.	mm	in.
Gooseneck—Standard (R4) for outlets #2, 3, 4 & 5	152	6	124	4.9	146	5.8
Gooseneck—Standard (R4) for outlet #7	152	6	117	4.6	152	6.0

## SWING SPOUT ASSEMBLIES

SPOUT NO.	SPOUT/OUTLET	“A”		“C”		“L”	
		mm	in.	mm	in.	mm	in.
1	8" Wallform Spout (S2)	206	8.1	15	0.6	130	5.1
2	8" Tubular Spout (S5)	210	8.25	51	2.0	147	5.8

Note: Measurements may vary ± 6mm (0.25")

Refer to [www.specselect.com](http://www.specselect.com) for individual models.

Note: Use this page front and back as a product submittal sheet.