

**iWash®**  
**Electronic Bidet Seat, Elongated**  
**S-11**

**Product Features**

- Instant ceramic water heating system - unlimited warm water
- Slim profile, only 5" tall
- Self-cleaning, stainless steel nozzle
- Rear and front wash spray
- Oscillating spray
- Power wash function (enema)
- Adjustable water pressure and temperature
- Adjustable nozzle position
- Heated seat with adjustable temperature
- Warm air dryer
- Built-in deodorizer
- In-bowl LED nightlight
- ECO power-saving mode
- Memory for customized settings (2 users)
- Silent close seat and lid cover
- Wall-mount remote control with LED backlit buttons

**Quality Assurance**

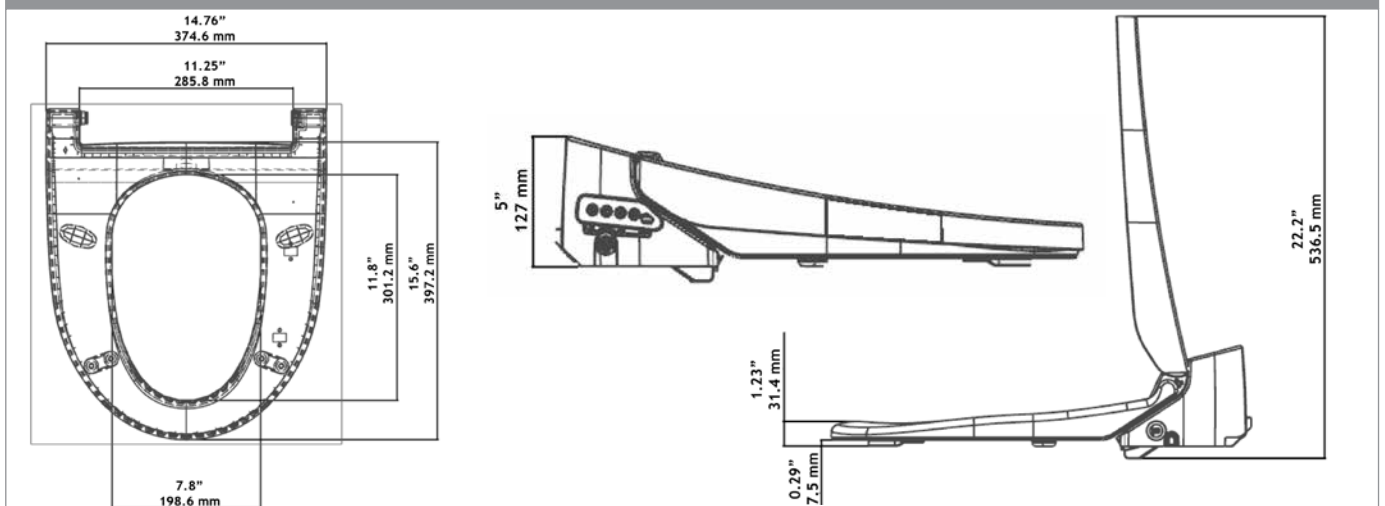
- Factory tested
- ETL certified
- Three year limited product warranty on bidet seat

**Accessories Included**

- Metal T-valve
- Mounting plate and top-fixation seat bolt set
- Water transfer hose
- Remote control, wall-mount and AAA batteries (x3)



**Dimensional Diagram**



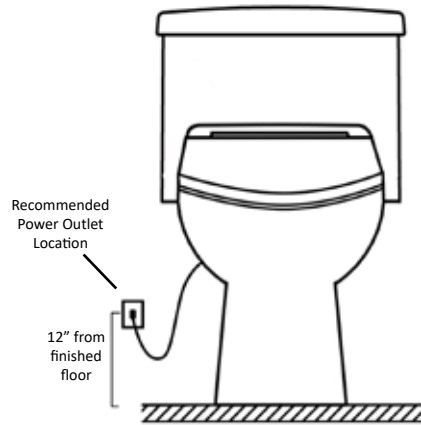
**IMPORTANT:** Dimensions and specifications are subject to change without notice.

Colors



White .01

Installation Notes



- For use with potable water only. Do not use with recycled water.
- This product may not fit certain bowl designs.
- For use on a nominal 120V circuit and GFCI receptacle. Do not use with an ungrounded outlet.
- Power cord is located on the right side of the seat and is 5ft in length.

Specifications

<b>Rated Voltage</b>		AC 120V, 50/60Hz	<b>Heated Seat</b>	<b>Seat Temperature</b>	Ambient, 97°F (36°C), 100°F (38°C), 104°F (40°C)
<b>Rated Power Consumption</b>		1300W		<b>Heater Capacity</b>	Maximum 55W
<b>Water Supply System</b>		Direct connection with tap water		<b>Safety Device</b>	Thermal cutoff, temperature sensor
<b>Waterproof Rating</b>		IPX4		<b>Dryer Temperature</b>	Room temperature - maximum 113°F (45°C)
<b>Power Cord Length</b>		1.5M (5ft)	<b>Warm Air Dryer</b>	<b>Heater Capacity</b>	Maximum 250W
<b>Bidet Spray</b>	<b>Water Heating</b>	Ceramic Heater		<b>Safety Device</b>	Thermal cutoff, Bimetal
	<b>Rear Wash</b>	Maximum 800cc		<b>Lighting</b>	
	<b>Front Wash</b>	Maximum 800cc	<b>Inlet Water Temperature</b>	41°F - 95°F (5°C - 35°C)	
	<b>Power Wash</b>	Maximum 800cc	<b>Ambient Temperature</b>	41°F - 95°F (5°C - 35°C)	
	<b>Water Temperature</b>	86°F (30°C), 97°F (36°C), 100°F (38°C), 104°F (40°C)	<b>Country of Origin</b>	Made in Korea	
	<b>Heater Capacity</b>	1200W	<b>Dimension</b>	20.8" x 15.3" x 5.1" (Elongated)	
	<b>Safety Device</b>	Thermal cutoff, thermo switch, water level sensor	<b>Net Weight (Gross Weight)</b>	8.3lb (13.2lb)	
<b>Deodorization</b>		Automatic deodorizer			

Compliance Certifications

- Conforms to UL STD 1431
- Certified to CSA STD C22.2 No. 64 & 68
- ETL certified

