

Mini™ & Mini™-E Tankless Electric Water Heaters

Engineer/Architect: _____ Date: _____

Job Name/Customer: _____ Phone: _____

Location: _____ Date Required: _____

Contractor: _____ Phone: _____

Water Heater Specifications	Item No.	Quantity	kW	Voltage	Amperage
Model # Mini™ _____	_____	_____	_____	_____	_____

Applications

Commercial › Industrial › Institutional

- › Office Buildings
- › Stores
- › Malls
- › Warehouses
- › Restaurants
- › Gas Stations
- › Schools
- › Hotels / Motels
- › Commercial Condominiums
- › Manufacturing Facilities

Residential

- › Bathroom Sinks
- › Kitchen Sinks
- › Laundry Areas
- › Cabins / Cottages
- › Low Flow Showers

Mini™-E is a code-compliant thermostatic model with electronically controlled output temperature.

- › Mounts with water connections up or down
- › Can be mounted above or below fixture

Warranty

Residential & commercial warranty: Stiebel Eltron, Inc. warrants to the original owner that the Mini™ tankless electric water heater will be free from defects in workmanship and materials for a period of three (3) years from the date of purchase, and free from leakage for a period of seven (7) years from the date of purchase. Should the part(s) prove to be defective under normal use during this period, Stiebel Eltron, Inc. will be responsible for replacement of the defective part(s) only. Stiebel Eltron, Inc. is not responsible for labor charges to remove and/or replace the defective part(s), or any incidental or consequential expenses.

Should the owner wish to return the tankless electric water heater for repair, the owner must first secure written authorization from Stiebel Eltron, Inc. The owner shall be required to show proof of purchase date, and to pay all transportation costs to return the defective part(s) or tankless electric water heater for repair or replacement. Warranty is void if water heater has been installed or used improperly or if design has been altered in any way.

rev. 8.2019 Due to our continuous process of engineering and technological advancement, specifications may change without notice.

Specifications

Technical Data



Certified to ANSI/UL Std. 499
Conforms to CAN/CSA E335-1 & E335-2-35



Tested and certified by WQA
against NSF/ANSI 372 for
lead free compliance.

ISO 9001
CERTIFIED

Mechanical models:	Mini™ 2-1 231045	Mini™ 2.5-1 232098	Mini™ 3-1 220816	Mini™ 3.5-1 232099	Mini™ 4-2 222039	Mini™ 6-2 220817
Thermostatic models:	Mini™-E 2-1 236011	Mini™-E 2.5-1 236135	Mini™-E 3-1 236010	Mini™-E 3.5-1 236136	Mini™-E 4-2 236009	Mini™-E 6-2 236008
Phase - 50/60 Hz	1					
Voltage ¹	120 V	120 V	120 V	120 V	240 V or 208 V	240 V or 208 V
Wattage	1.8 kW	2.4 kW	3.0 kW	3.5 kW	3.5 kW 2.6 kW	5.7 kW 4.3 kW
Amperage draw	15 A	20 A	25 A	29 A	15 A 13 A	24 A 21 A
Min. recommended circuit breaker size ²	15 A (SP)	20 A (SP)	25 A (SP)	30 A (SP)	15 A (DP)	25 A (DP)
Min. recommended wire size ³ (copper)	14/2 AWG	12/2 AWG	10/2 AWG	10/2 AWG	14/2 AWG	10/2 AWG
Min. flow to activate						
Mechanical units	0.21 gpm (0.8 l/min)	0.40 gpm (1.5 l/min)	0.40 gpm (1.5 l/min)	0.40 gpm (1.5 l/min)	0.40 gpm (1.5 l/min)	0.77 gpm (2.9 l/min)
Thermostatic units	0.21 gpm (0.8 l/min)	0.30 gpm (1.15 l/min)	0.30 gpm (1.15 l/min)	0.30 gpm (1.15 l/min)	0.30 gpm (1.15 l/min)	0.48 gpm (1.8 l/min)
Water temp. range	Electronic units are adjustable from 86-122 °F (30-50 °C)					
Energy Factor (EF) (Mechanical / Thermostatic)	0.98 / 0.97 (UEF)	1.0 / 0.99	0.99 / 0.99	0.99 / 0.99	0.99 / 1.0	0.99 / 1.0
Weight	3.44 lb (1.56 kg)					
Dimensions	Width 7½" (190 mm) x Height 6½" (165 mm) x Depth 3¼" (82 mm)					
Water volume in unit	0.026 gal (0.1 l)					
Working pressure	150 psi (10 bar)					
Tested to pressure	300 psi (20 bar)					

Water connections⁴ ¾" O.D. flexible braided stainless steel hose connectors

Mini™ 2-1 is internally restricted to 0.32 gpm (1.2 l/min). Mini™-E 2-1 is internally restricted to 0.40 gpm (1.5 l/min).

All Mini™ models ship with appropriately sized pressure compensating flow-reducer/aerators that must be installed.

¹ Nominal mains voltage is 110-120V and 220-240V.

² This is our recommendation for overcurrent protection sized at 100% of load. Check local codes for compliance if necessary.
Tankless water heaters are considered a non-continuous load.

³ Copper must be used. Conductors should be sized to maintain a voltage drop of less than 3% under load.

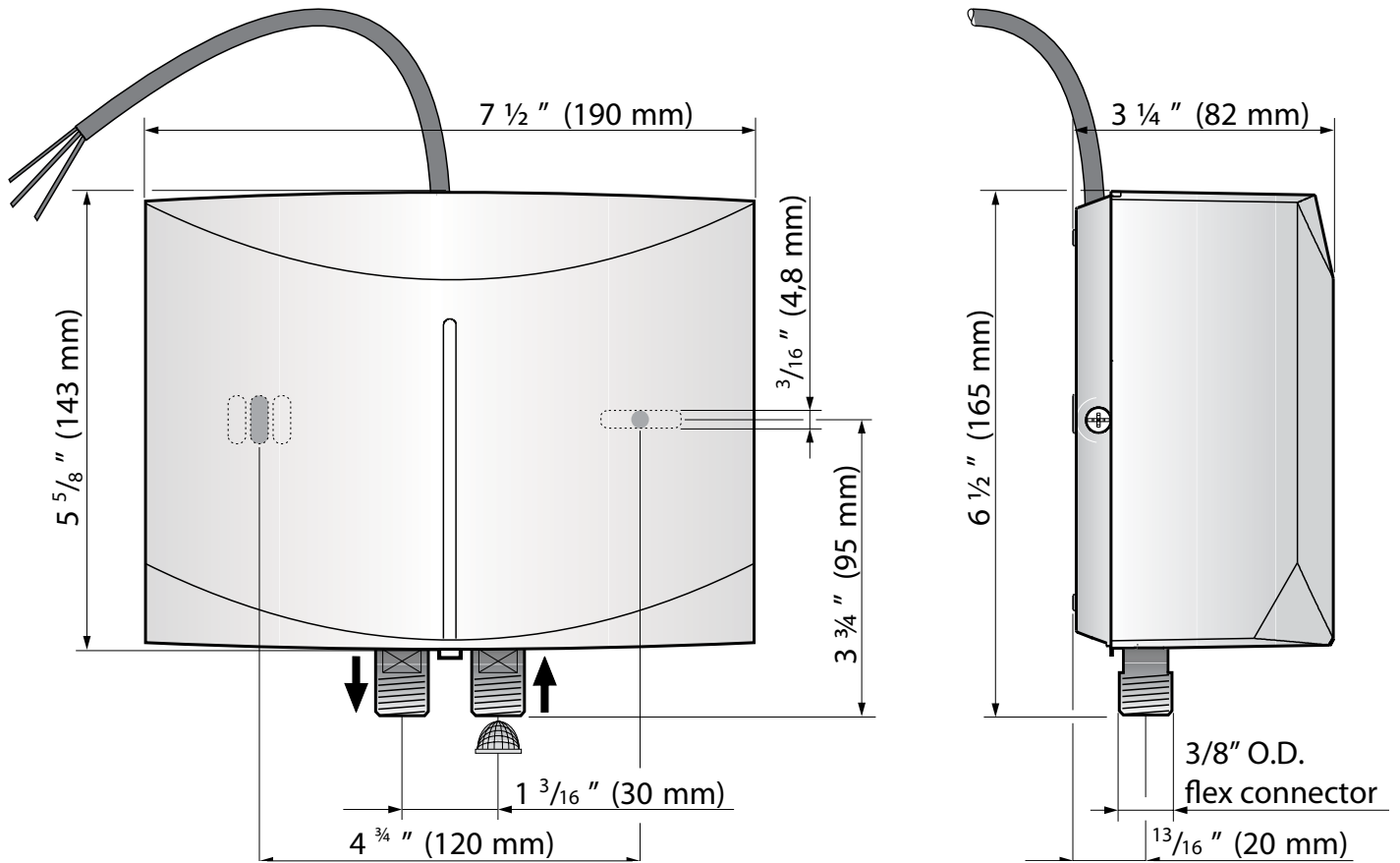
⁴ Mechanical units suitable for supply with cold water only. Thermostatic units can accept inlet water of 122 °F.

Temperature Rise °F (GPM = kW x 6.83 / Δt)

0.32 GPM	0.50 GPM	0.75 GPM	1.00 GPM
39	-	-	-
-	33	-	-
-	41	-	-
-	48	32	-
-	48	32	-
-	36	24	-
-	-	-	39
-	-	-	29

- › Mini™ models suitable for inlet cold water supply only.
- › Mini™-E models suitable for supply inlet max. 122 °F.
- › Mini™ 2-1 internally restricted to 0.32 gpm
- › Mini™-E 2-1 internally restricted to 0.40 gpm

Dimensions



Certified to ANSI/UL Std. 499
 Conforms to CAN/CSA
 E335-1 & E335-2-35

**ISO 9001
 CERTIFIED**



Tested and certified by
 WQA against NSF/ANSI 372
 for lead free compliance.

