



Faucet not included.

# 285

## Large basin, vitreous china, pedestal lavatory

- Basin measures 17-3/4" x 14"
- Available punched 4" or 8" for faucet hole centers
- Basin mounts on galvanized hanger, which is included
- Available in gleaming White and a wide range of colors
- Meets ANSI/ASME A112.19.2M-1995
- Meets Canadian Standards Association General Requirements for Ceramic Plumbing Fixtures-B-45-1-99.

### Specifications

Order No.	Description	Approx. Wt.
287	24" x 20-1/4" pedestal lavatory with 4" punching. Basin size: 17-3/4" x 14". Hanger included. Faucet and supplies not included. Specify color.	40 lbs.
287-8	Same as above, with 8" punching.	40 lbs.
283	Pedestal base for above models. Specify color.	17 lbs.
Specify color.		

No. 285 meets ANSI/ASME A112.19.2M-1995 (Federal Specification WW-P-541-E. GEN: 1980; WW-P-541/4B: 1980).

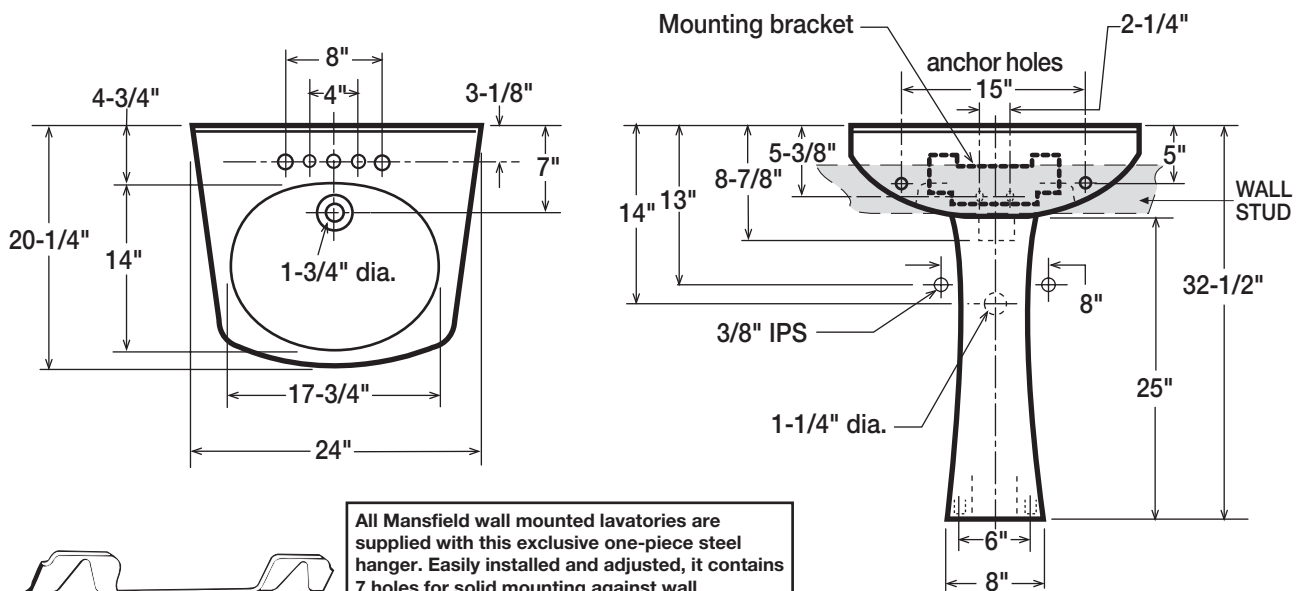


## Large basin, vitreous china, pedestal lavatory



Vitreous china oval pedestal lavatory. Generous basin measures 17-3/4" x 14". This smooth plane provides ample space for cosmetics and toiletries. New designer styling gives these pedestals a light, sculptured look, more elegant for the discerning homeowner wanting something new, but still demanding value. On this new model, the basin's overflow drain is positioned at the front, out of sight to the user. This sleek, new fixture features an oval basin over a stylish, slim pedestal. Features continental styling and ample back ledge space. Available punched 4" or 8" for faucet hole centers. Beautifully styled pedestal base enhances overall appearance. Sparkling vitreous china is household cleanser and acid-resistant, and is easily maintained due to its smooth, durable finish. Basin mounts on galvanized hanger, which is included. Available in gleaming White and a wide range of colors.

### Rough-in dimensions



All Mansfield wall mounted lavatories are supplied with this exclusive one-piece steel hanger. Easily installed and adjusted, it contains 7 holes for solid mounting against wall. Anchoring screws must be used for correct installation. Standard plumbing practice recommends use of both mounting bracket and anchoring screws. NOTE: For secure installation, wall mounting hanger should be fastened to solid, support wall stud.

NOTE: Above are rough-in measurements. They may vary 1/4" (plus or minus).

See our complete line of drop-in, pedestal, self-rimming, under-counter, wall-mounted and ADA accessible vitreous china and porcelain-on-steel lavatories.



Mansfield Plumbing Products LLC • Sales Services Toll Free 877-850-3060  
 Website: [www.mansfieldplumbing.com](http://www.mansfieldplumbing.com) • Email: [custserv@mansfieldplumbing.com](mailto:custserv@mansfieldplumbing.com)