



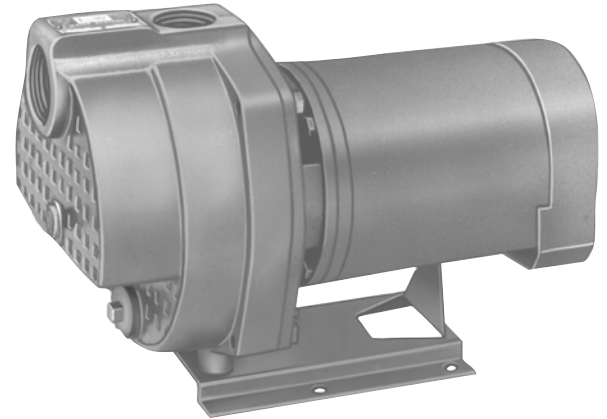
FLINT & WALLING, INC.

95 North Oak Street  
Kendallville, IN 46755 U.S.A.  
www.flintandwalling.com

FW0547 0903 Supersedes NEW

# Centrifugal Pumps

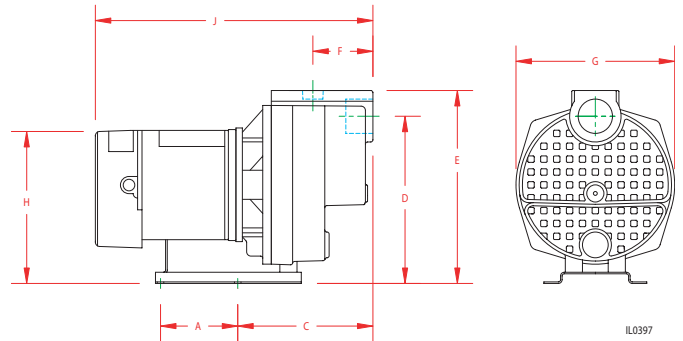
## Submittal Data



|                         |              |
|-------------------------|--------------|
| Job or Customer         |              |
| Engineer                |              |
| Contractor              |              |
| Submitted by            | Date         |
| Approved by             | Date         |
| Specification Reference |              |
| Quote Date              | Quote Number |

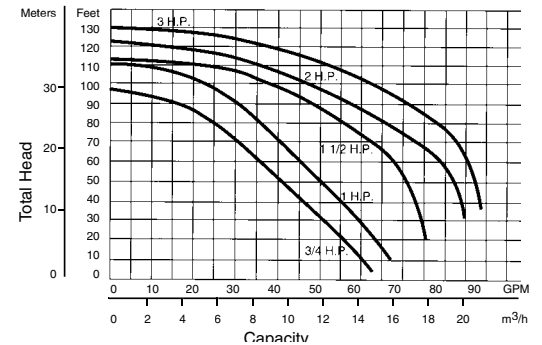
| Quantity | Model Number | System Discharge Pressure (PSI) | Flow (GPM) | System Inlet Pressure (PSI) | Volts | Phase | Comments |
|----------|--------------|---------------------------------|------------|-----------------------------|-------|-------|----------|
|          |              |                                 |            |                             |       |       |          |
|          |              |                                 |            |                             |       |       |          |

| HP    | Dimensions (In Inches) |       |       |       |        |       |       |       |         |        | Lbs Ship Wt |
|-------|------------------------|-------|-------|-------|--------|-------|-------|-------|---------|--------|-------------|
|       | A                      | B     | C     | D     | E      | F     | G     | H     | J       |        |             |
| 3/4   | 4-1/2                  | 5-1/2 | 7-7/8 | 9-3/4 | 11-1/8 | 3-1/2 | 8-3/4 | 8-3/4 | 16-1/12 | 62     |             |
| 1     | 4-1/2                  | 5-1/2 | 7-7/8 | 9-3/4 | 11-1/8 | 3-1/2 | 8-3/4 | 8-3/4 | 17      | 68-3/4 |             |
| 1-1/2 | 4-1/2                  | 5-1/2 | 7-7/8 | 9-3/4 | 11-1/8 | 3-1/2 | 8-3/4 | 8-3/4 | 17-5/8  | 74-1/2 |             |
| 2     | 4-1/2                  | 5-1/2 | 7-7/8 | 9-3/4 | 11-1/8 | 3-1/2 | 8-3/4 | 8-3/4 | 18-1/8  | 78     |             |
| 3     | 4-1/2                  | 5-1/2 | 7-7/8 | 9-3/4 | 11-1/8 | 3-1/2 | 8-3/4 | 8-3/4 | 18-1/8  | 78-3/4 |             |



## SPECIFICATIONS

| Model Number |         | HP    | Suction Lift Ft. | Capacity - U.S. Gallons per Minute Discharge Pressure PSI |    |    |    |    |    |    |    |    |    | Shut-Off Pressure PSI | Suct. Pipe Tap NPT | Disch. Pipe Tap NPT |
|--------------|---------|-------|------------------|---|----|----|----|----|----|----|----|----|----|-----------------------|--------------------|---------------------|
| 1 Phase      | 3 Phase |       |                  | 10  | 15 | 20 | 25 | 30 | 35 | 40 | 45 |    |    |                       |                    |                     |
| SPJ07P1      | SPJ07P3 | 3/4   | 5                | 56  | 48 | 42 | 37 | 29 | 21 |    |    | 41 | 2" | 1-1/2"                |                    |                     |
|              |         |       | 15               | 47  | 42 | 37 | 29 | 22 | 12 |    |    | 37 |    |                       |                    |                     |
|              |         |       | 25               | 43  | 37 | 31 | 22 | 10 |    |    |    | 33 |    |                       |                    |                     |
| SPJ10P1      | SPJ10P3 | 1     | 5                | 58  | 53 | 48 | 43 | 38 | 32 | 23 | 11 | 48 | 2" | 1-1/2"                |                    |                     |
|              |         |       | 15               | 53  | 48 | 45 | 37 | 31 | 24 | 12 |    | 43 |    |                       |                    |                     |
|              |         |       | 25               | 48  | 44 | 38 | 33 | 25 | 14 |    |    | 39 |    |                       |                    |                     |
| SPJ15P1      | SPJ15B3 | 1-1/2 | 5                | 78  | 77 | 74 | 70 | 62 | 53 | 43 | 30 | 47 | 2" | 1-1/2"                |                    |                     |
| SPJ15B1      |         |       | 15               | 70  | 68 | 66 | 62 | 53 | 43 | 30 |    | 41 |    |                       |                    |                     |
|              |         |       | 25               | 47  | 46 | 45 | 44 | 42 | 34 |    |    | 36 |    |                       |                    |                     |
| SPJ20B1      | SPJ20B3 | 2     | 5                | 86  | 84 | 81 | 77 | 71 | 62 | 52 | 40 | 50 | 2" | 1-1/2"                |                    |                     |
|              |         |       | 15               | 76  | 74 | 72 | 69 | 64 | 55 | 43 | 25 | 45 |    |                       |                    |                     |
|              |         |       | 25               | 52  | 51 | 50 | 47 | 45 | 42 | 30 |    | 40 |    |                       |                    |                     |
| SPJ30B1      | SPJ30B3 | 3     | 5                | 88  | 86 | 85 | 84 | 80 | 73 | 64 | 53 | 54 | 2" | 1-1/2"                |                    |                     |
|              |         |       | 15               | 77  | 76 | 75 | 74 | 72 | 65 | 55 | 43 | 50 |    |                       |                    |                     |
|              |         |       | 25               | 54  | 53 | 52 | 51 | 50 | 49 | 45 | 10 | 45 |    |                       |                    |                     |



Maximum Case Pressure: 100 PSI

## GENERAL PUMP DATA

|   |                 |
|---|-----------------|
| Flow Range .....                              | 1.5 to 88 GPM   |
| Pressure Boost Range .....                    | 33 - 55 PSI     |
| Liquid Temperature -- Brass Impellers .....   | 34° F to 200° F |
| Liquid Temperature -- Plastic Impellers ..... | 34° F to 160° F |
| Maximum Case Pressure .....                   | 100 PSI         |

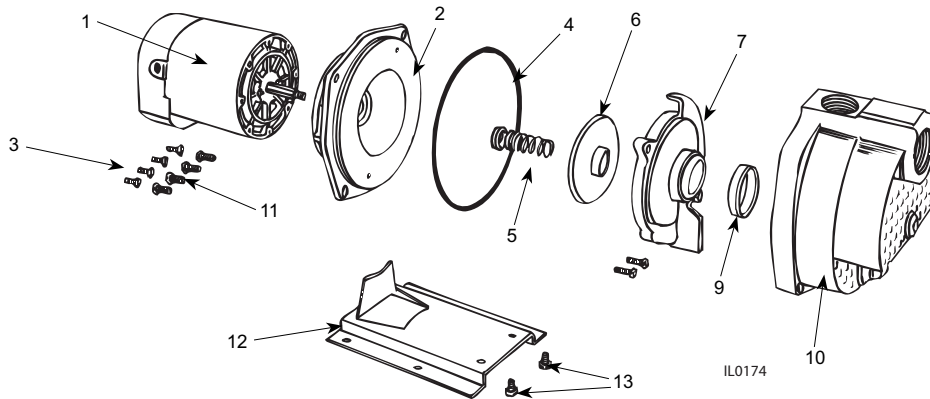


|                                  |                                  |
|----------------------------------|----------------------------------|
| Agency Approvals .....           | Continuous                       |
| Duty Cycle .....                 | Clear Water                      |
| Pumping Medium .....             | Pump and Motor Field Serviceable |
| Service/Repair Information ..... |                                  |

## MOTOR DATA

| HP  | Locked-Rotor Torque (Starting Torque)<br>In-Lbs. | Single Phase |              |   |                             |                   |     | 3 Phase |           |                             |                   |     |  |
|-----|--|--------------|--------------|---|-----------------------------|-------------------|-----|---------|-----------|-----------------------------|-------------------|-----|--|
|     |  | S.F.         | Max. Amb.    | Max. Amb. @ SF before Overload Tripping | Breakdown Torque<br>In-Lbs. | Peak Output Power |     | S.F.    | Max. Amb. | Breakdown Torque<br>In-Lbs. | Peak Output Power |     |  |
|     |  |              |              |   |                             | HP                | kW  |         |           |                             | HP                | kW  |  |
| 3/4 | 29   | 1.5          | 65° C/149° F | 70° C/158° F                            | 42                          | 2.1               | 1.6 | 1.5     | 65° C     | 49                          | 2.3               | 1.7 |  |
| 1   | 48   | 1.4          | 65° C/149° F | 66° C/151° F                            | 52                          | 2.5               | 1.9 | 1.4     | 65° C     | 74                          | 3.5               | 2.6 |  |
| 1.5 | 59   | 1.3          | 65° C/149° F | 66° C/151° F                            | 76                          | 3.8               | 2.8 | 1.3     | 65° C     | 90                          | 4.3               | 3.2 |  |
| 2   | 63   | 1.25         | 65° C/149° F | 66° C/151° F                            | 80                          | 4.0               | 3.0 | 1.25    | 65° C     | 112                         | 5.3               | 4.0 |  |
| 3   | 65   | 1.0          | 65° C/149° F | 66° C/151° F                            | 95                          | 4.5               | 3.4 | 1.0     | 65° C     | 125                         | 5.9               | 4.4 |  |

Motor Voltage: Single Phase 1/3 - 2 HP - 115/230; 3HP - 230V 60 Hz.  
 Three Phase 1/2 - 2 HP - 208-230/460, 50/60Hz  
 Three Phase 3 HP - 208-230/460, 60Hz



### CONSTRUCTION MATERIALS - PUMP

| ITEM NO. | DESCRIPTION                   | MATERIALS                    |
|----------|-------------------------------|------------------------------|
| 1        | Motor, NEMA J - 1 PH -- Shell | Zinc-Clad Steel              |
| 1        | Motor, NEMA J - 3 PH -- Shell | Zinc-Clad Steel              |
|          | Motor Access Cover            | Valox                        |
| 2        | Mounting Ring                 | Cast Iron                    |
| 3        | Hex Hd. Cap Screws 3/8 x 3/4" | Plated Steel                 |
| 4        | Ring, Square Cut              | Buna Rubber                  |
| 5        | Seal, Rotary w/Spring         | Ceramic Carbon/S.S. & Buna N |
| 6        | Impeller, Plastic "P" Models  | Noryl                        |
| 6        | Impeller, Brass "B" Models    | Brass                        |
| 7        | Diffuser w/Insert             | Aqualoy 45                   |
| 8        | Hex Hd. Cap Screws 1/4 x 1"   | Plated Steel                 |
| 9        | Rubber Diffuser               | Buna Rubber                  |
| 10       | Pump Body                     | Cast Iron                    |
| 11       | Hex Hd. Cap Screws 7/16 x 1"  | Plated Steel                 |
| 12       | Base                          | Formed Steel                 |
| 13       | HEx Hd. Cap Screws 3/8 x 1/2" | Plated Steel                 |